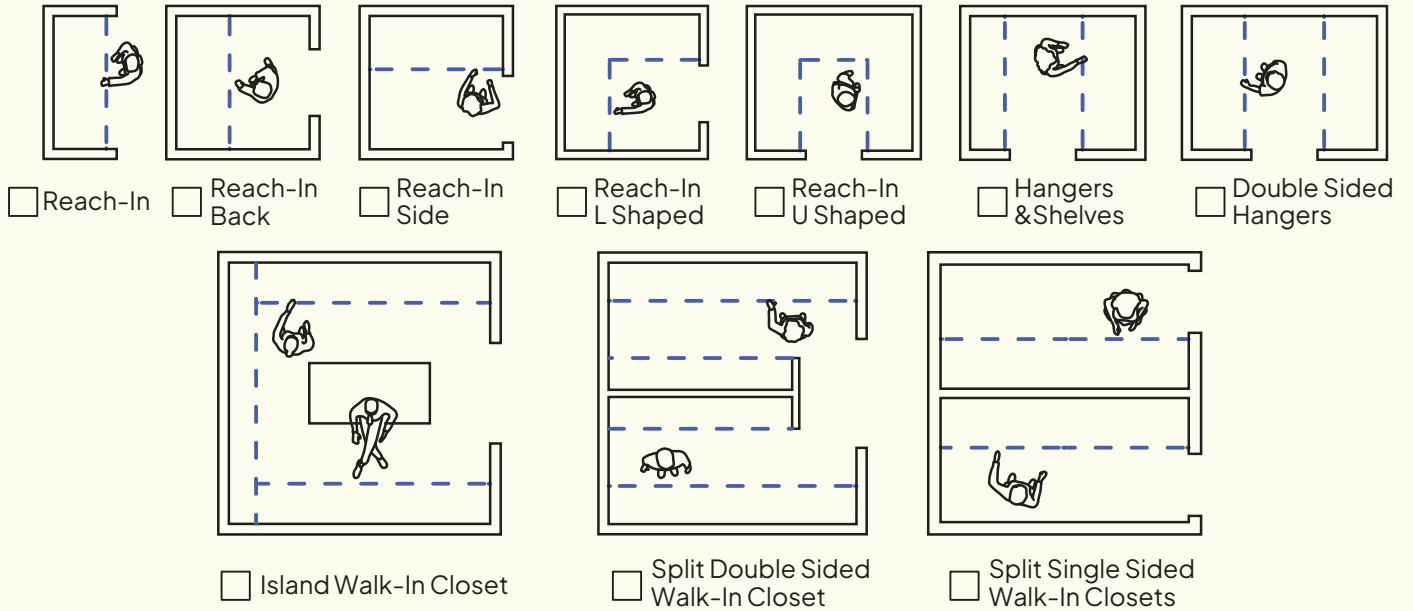
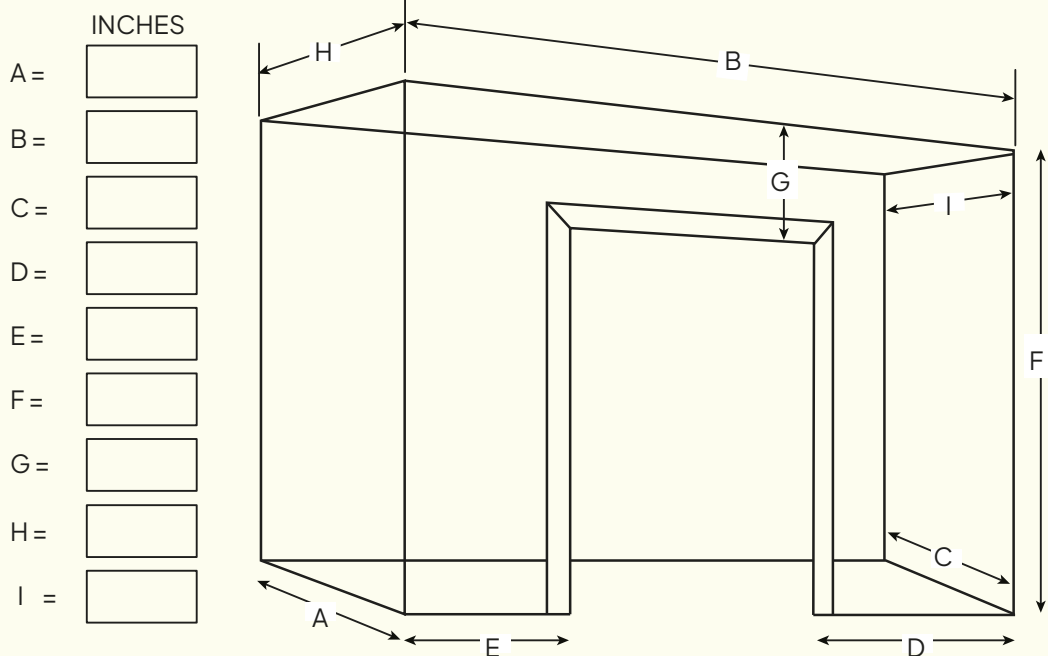




MEASUREMENT FORM



Choose your closet type you want to build.



Please do not include door frame in your measurements. Make sure to measure outlets, switches and other obstructions.



This is a great time to take stock of your belongings and clothing and eliminate what you don't use or need. Remember: each item of clothing takes up 1.5" of space (on average).

Consider What You Need:

- How much hanging space do you need?
- How much shelf space do you need for items like sweaters, t-shirts, etc.?
- How much space for your shoes?
- Do you want drawers for items such as undergarments, socks, PJ's, etc.?

- Is this a closet? Yes No (if no, go to other room applications option)
- Type of closet: Reach-In Walk-In Master Walk-In Kids Linen Built-In
- Type of closet doors: Sliding Regular Bi-fold None
- Closet requirements: Double hanging/short garments Single hanging/long garments
 Drawers Shelves
- Closet accessories: Hamper Pullout Slide-out (Shoe) Shelves Slide-out Tie Rack Swivel
 Slide-out Valet Rod Slide-out Belt Rack Swivel Slide-out Mirror Swivel
 Doors
- **Other room applications:** Home Office Media Center Garage
 Laundry Pantry Other

If you have a reach-in closet, what kind of doors do you have? Standard single door, sliding, bi-fold, French? What is the door opening measurement? This is important when determining where the placement of drawers and storage towers should be.

Review existing designs on our website:

- Find what you need, place the order.
- Can't find it? Let us create a free custom design for you.

If other please describe: _____



Job Name _____ Date : _____

Address _____

Designer _____ Page ____ of _____

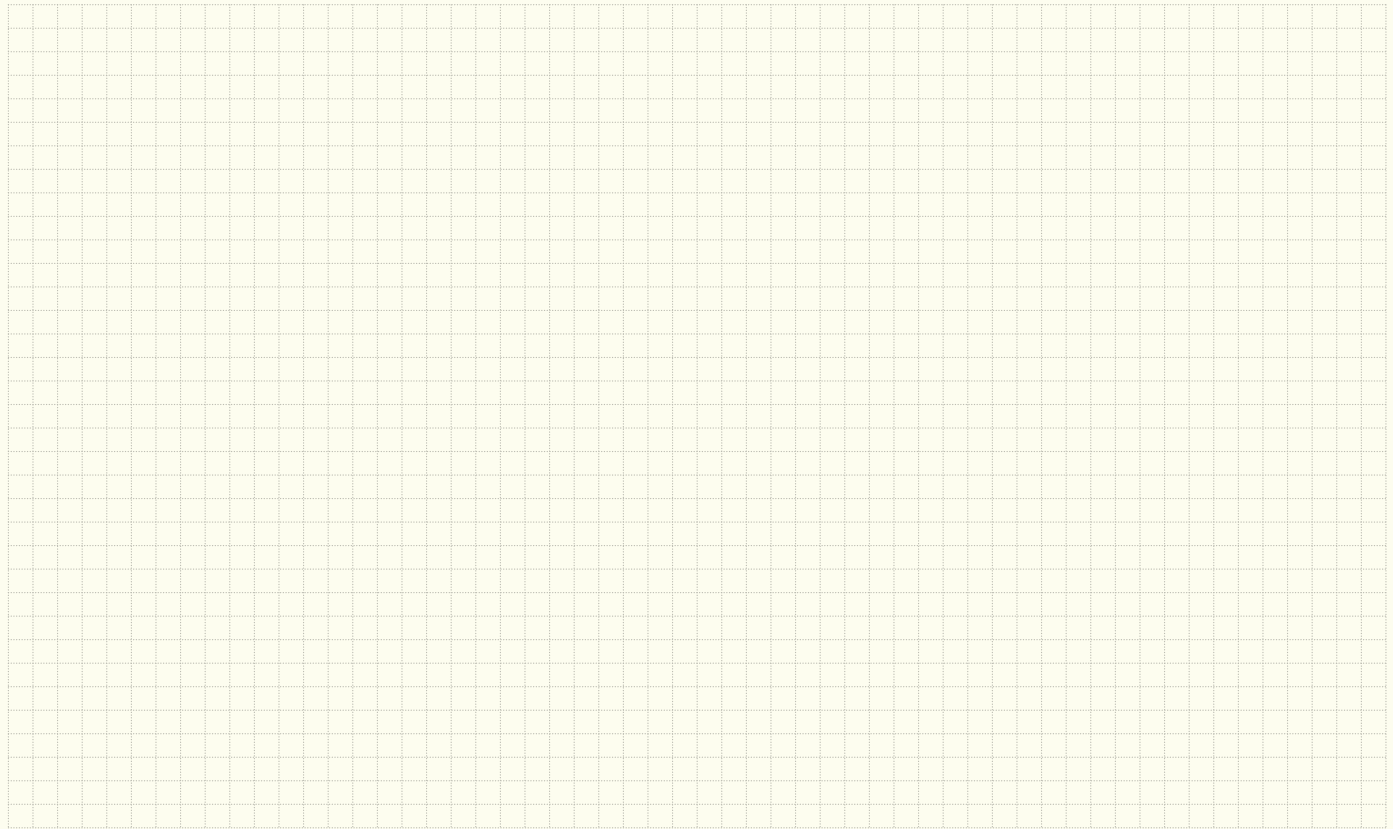
CLOSET and MATERIAL SPECIFICATIONS

Floor Number: _____ Demolished: Yes No
 Apartment: Yes No Detached: Yes No
 Parking Place: Yes No Elevator: Yes No
 Room Name: _____ Install: Susp Fir Mixed
 Ceiling Ht: _____ System Ht: 84" 90" 96"
 Cutbacks: Yes No Base: Shoe:
 Laminate Color: _____
 Door Insert: Frost Clear Wire Reed Mesh Mirror
 Adjustable Shelf: Shelf Pin Pin-in-Place(childsafe)
 Oval Rods: Chr BrChr Round Rods Chr BrChr ORB

Handle: Yes No Catalog: _____
 Roolout in Matching Laminate: Box Scoop Sweater
 Counter: Supply Own 3/4" 1"HPL CT Color: _____
 14" Deep Baskets: ORB Chr BrChr Backing: Yes No
 Door Front: _____
 Drawer Front: _____
 Open Frame Doors: Yes No
 Crown: 1pc Windsor 1pc Angled Scribe: Yes No
 Base: Contempo Traditional
 Shoe: Quarter Rd. Angled Contempo Traditional

SKETCH AREA - Include Door Height and Swing Direction, Window Sizes and Electrical Locations

Please, measure and draw the exact size of the place on sketch area. Do not diminish sizes.



ACCESSORIES

- Tie Rack 5" Dwr Hooks Felt Liner 6" Bskt Basket Liner Shelf Divider Lock Key
- Belt Rack 7" Dwr JDA Ling Div 11" Bskt Shoe Cubbies P.O. Iron Bd Wine Rack
- Valet Rod 10" Dwr JDV Dwr Div 17" Bskt P.O. Pants Rack Iron Bd Insert Spice Rack
- Tie Butler 12" Dwr 3-Tier Cedar Dwr Titlt Hmpr P.O. Mirror WM Iron Bd Steep Stool

Draw a top-down view of your closet on the grid above. Make sure you include wall measurements and ceiling heights/slopes. Please note height and thickness of baseboards. Measure doors and windows, including molding. Tell us location and type of door (folding, sliding, etc.) and how it opens. Locate pipes, access panels, outlets and switches in your closet.